

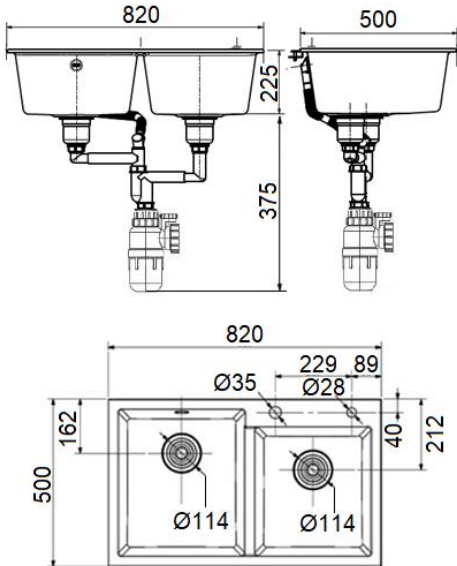




PROJECT		REF		REV	ITEM CODE	
LOCATION		DATE			PAGE	

SANITARY WARE SPECIFICATION SHEET

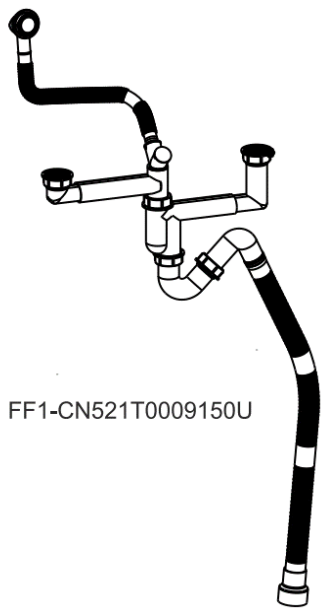
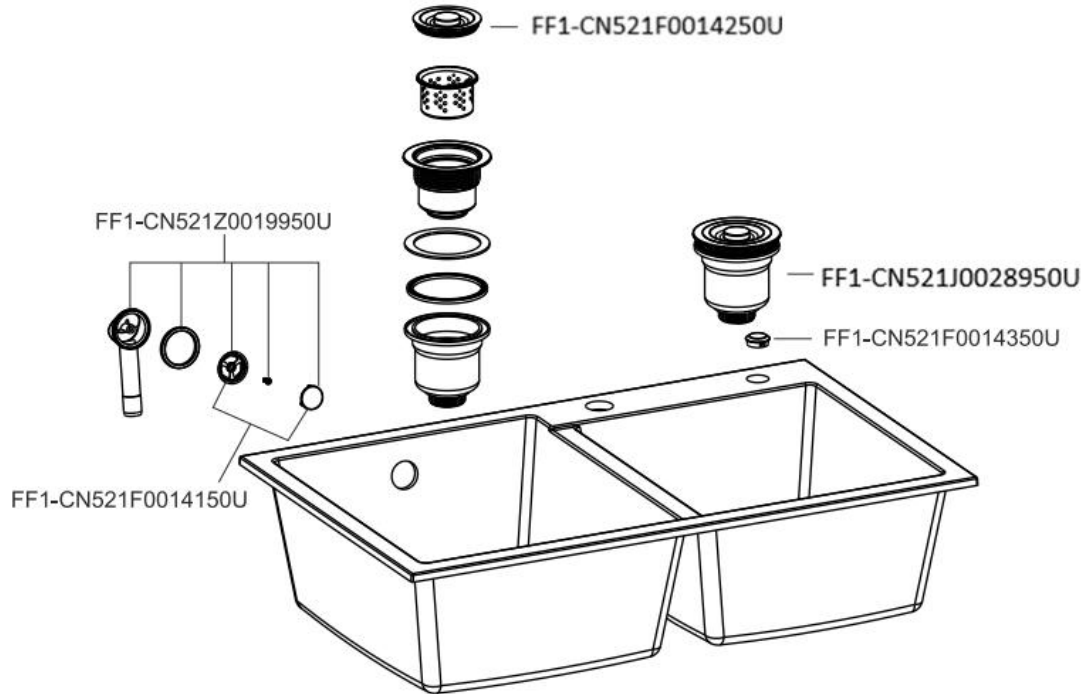
Item Descriptions	American Standard (PRC) Matt black synthetic two-bowl sink	Illustration/ Drawing
Dimensions	L800 x W500 x H225 mm (Bowl)	  
Model	1013672430	
Material	Synthetic	
Colour	Matt Black	
Manufacturer	American Standard (PRC)	
Source	Acme Sanitary Ware Co. Ltd Mr. Eric Wong/ Mr. Don Yuen	
Contact Tel/Fax	(852) 2388-7171 / (852) 2710-8012	
E-mail	acme@acmesanitary.com.hk	
Website	www.acmesanitary.com.hk	
<p><u>Detail specifications</u></p> <ul style="list-style-type: none"> • Matt Black Synthetic Two-bowl Sink • Food grade synthetic material • Matt Black finish and antibacterial • Rearward- waste design • Capacity (to overflow): 17.5L / 22L • With SUS304 drain and PP Material Waste • With box packaging / Product weight: 16 kg • Top/Under counter / Synthetic Thickness 8.5mm • Standards Criteria: GB 4806.7-2016 		

Note: Bottle trap is excluded.

* All information of the above is for the reference only. No prior notice is made if any changes.



SANITARY WARE SPECIFICATION SHEET



Compatible with 1/2" anti-siphonic bottle trap
(Bottle trap shall be bought separately)

Note: Bottle trap is excluded.